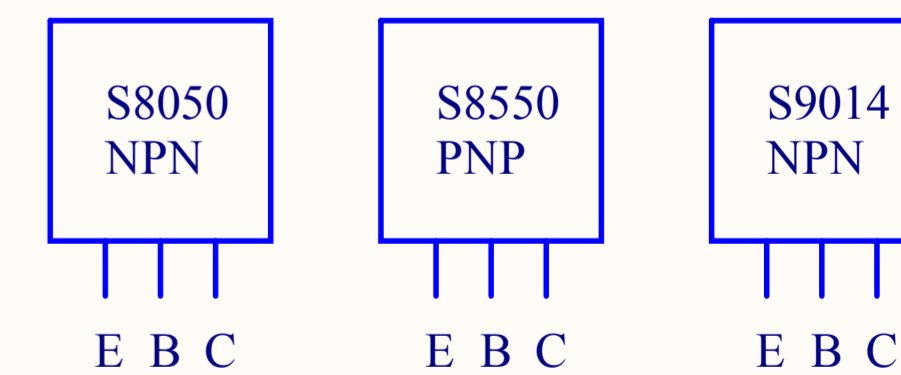


Notes:

To receive from Tx 27Mhz with Fsync = 70Khz (330k), make R24 = 420k (470k+3M9)



<h1 style="text-align: center;">Aviones Manuelo</h1> <p style="text-align: center;">Mar Cantábrico I 28820 Coslada (Madrid) Spain</p>		Nr: _____	
		<h2 style="font-size: 2em;">Race King 727</h2> <p style="text-align: right;">Sheet of _____</p>	
Design: Manuel Lagares	Draw: Manuel Lagares	File: _____	Date: _____
Approval: Rosa Navas		PCB: _____	Rel: _____